

\\dc01\rvbc\Clients\ODL, Inc. PERMANENT\A - Florida Product Approvals\FL-15260 Exterior Door Components - Lite Frame Inserts\C - Drawings\FL 15260 (2020) R9\FL-15260.13.dwg



215 EAST ROOSEVELT AVE.  
ZEELAND, MI 49464

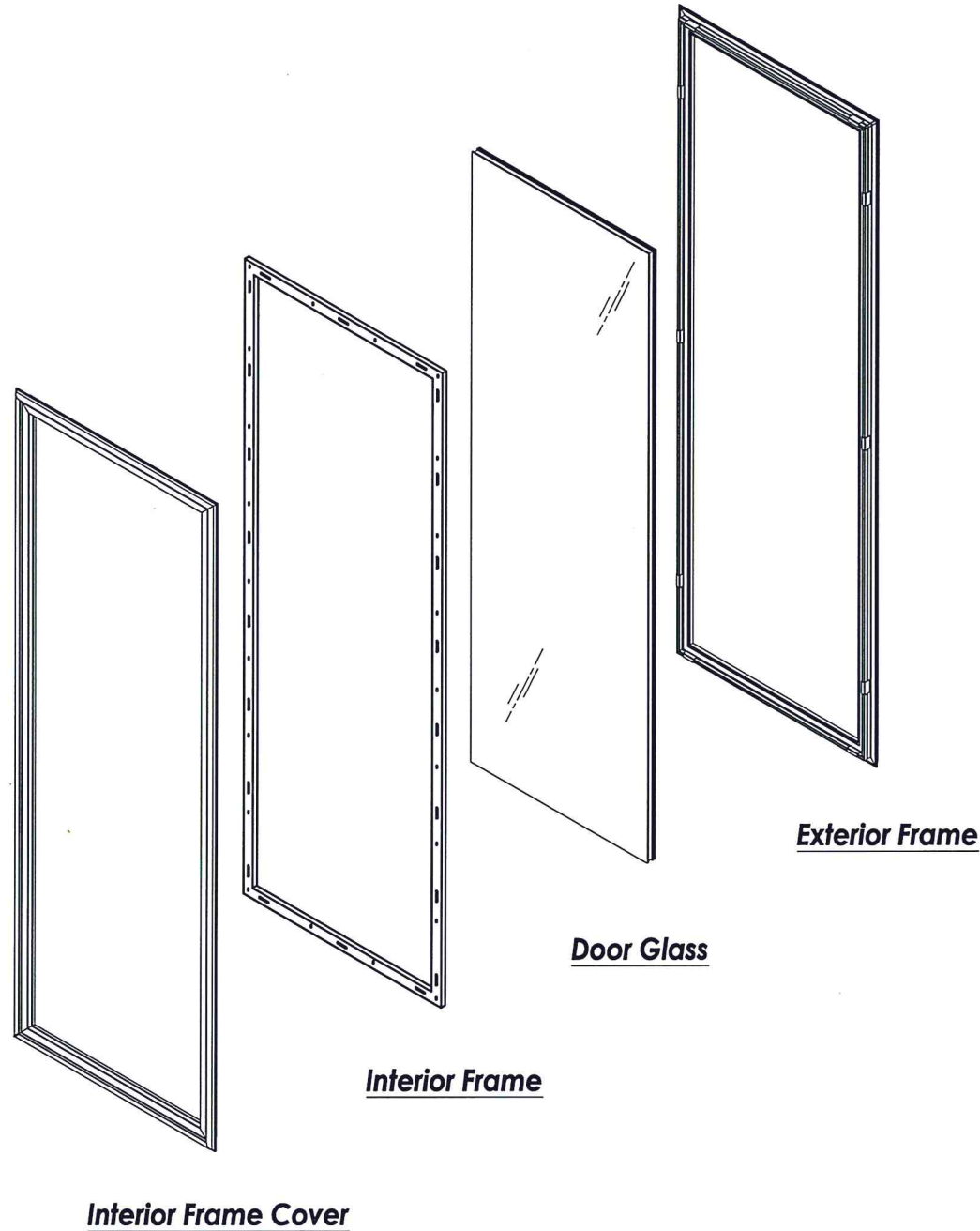
## ODL / WESTERN REFLECTIONS

### TriSys Frame System DOORGLASS ASSEMBLY FOR GLAZING UP TO A 3'0 x 8'0 SINGLE PANEL "NON-IMPACT"

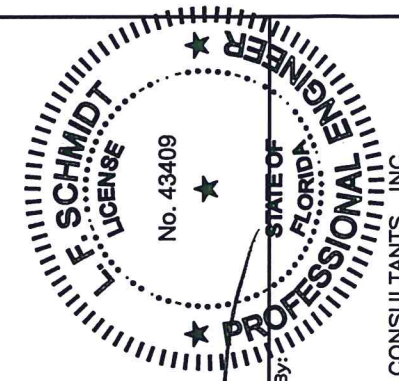
#### GENERAL NOTES

1. This product has been evaluated and is in compliance with the 7th Edition (2020) Florida Building Code (FBC) structural requirements including the High Velocity Hurricane Zone (HVHZ).
2. When used in the "HVHZ" this product is required to be protected with an impact resistant covering that complies with Section 1626 of the FBC.
3. This product is approved for use as a substitute doorglass assembly in conjunction with a glazed steel or fiberglass side hinged swing door and/or fixed sidelite possessing a comparable current Florida Statewide product approval.
4. The design pressure (DP) rating shall be the lesser of the DP rating shown on sheet 1 of this approval or the DP rating shown in the glazed steel or fiberglass side hinged swing door or fixed sidelite approval being used.
5. The door panel and lite opening size shall not exceed the sizes shown in this approval or the glazed steel or fiberglass side hinged swing door or fixed sidelite approval being used.
6. This product has been tested in the door and/or sidelite panels as specified on sheets 3 & 4 of this approval. Substitution into a similar product may be approved for use by the local Authority Having Jurisdiction. In all cases, the glazed steel or fiberglass door and/or sidelite used must possess a comparable current Florida Statewide product approval.

TABLE OF CONTENTS	
SHEET#	DESCRIPTION
1	Typical elevations, design pressures and general notes
2	Cross sections, glazing details and bill of materials
3	Fiberglass door panels
4	Steel door panels



TRADITIONAL DESIGN PRESSURE RATING (PSF)		
GLAZING TYPE	POSITIVE	NEGATIVE
1" Insulated glass	+60.0	-60.0



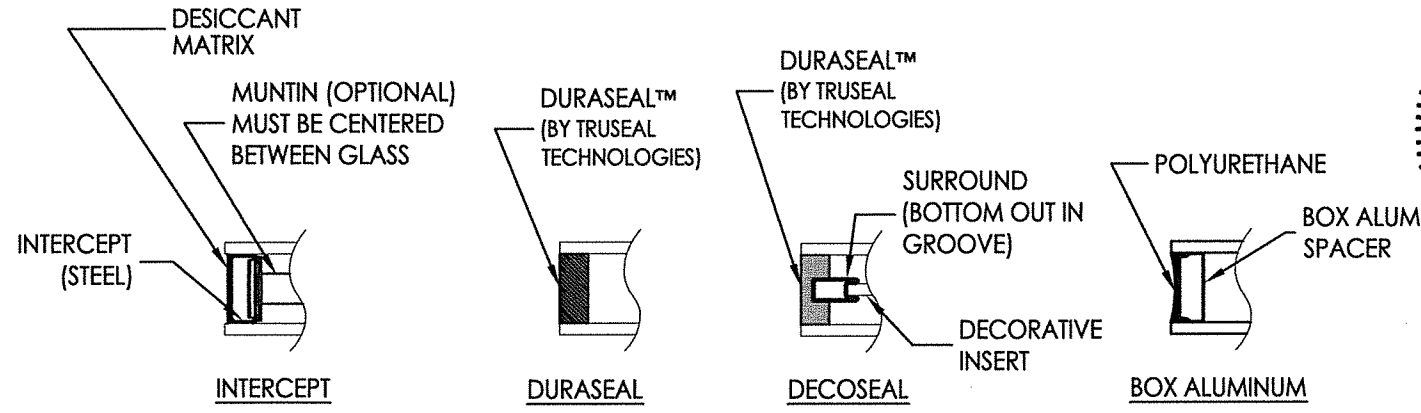
August 07, 2020  
 Documents Prepared By:  
 Lyndon F. Schmidt  
 P.E. No. 43409

**RW** BUILDING CONSULTANTS, INC.  
 P.O. Box 230, Valrico, FL 33595  
 Phone No.: 813.659.9197  
 FBPE Registry No. 9813

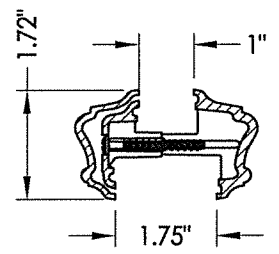
PRODUCT:		TriSys FRAME SYSTEM	
PART OR ASSEMBLY:		TYPICAL ELEVATIONS, DESIGN PRESSURES & GENERAL NOTES	
NO.	DATE	BY	REVISIONS
2	8/05/20	DAC	UPDATE TO 7TH ED. (2020) FBC
1	9/26/17	JK	UPDATE TO 6TH ED. (2017) FBC
DATE:		3/31/15	
SCALE:		N.T.S.	
DWG. BY:		JK	
CHK. BY:		LFS	
DRAWING NO.:		FL-15260.13	
SHEET		1 OF 4	

\\dc01\pwb\clients\ODL, Inc. PERMANENTVA - Florida Product Approvals\FL-15260 Exterior Door Components - Lite Frame InsertsC - Drawings\FL 15260 (2020) R9\FL-15260.13.dwg

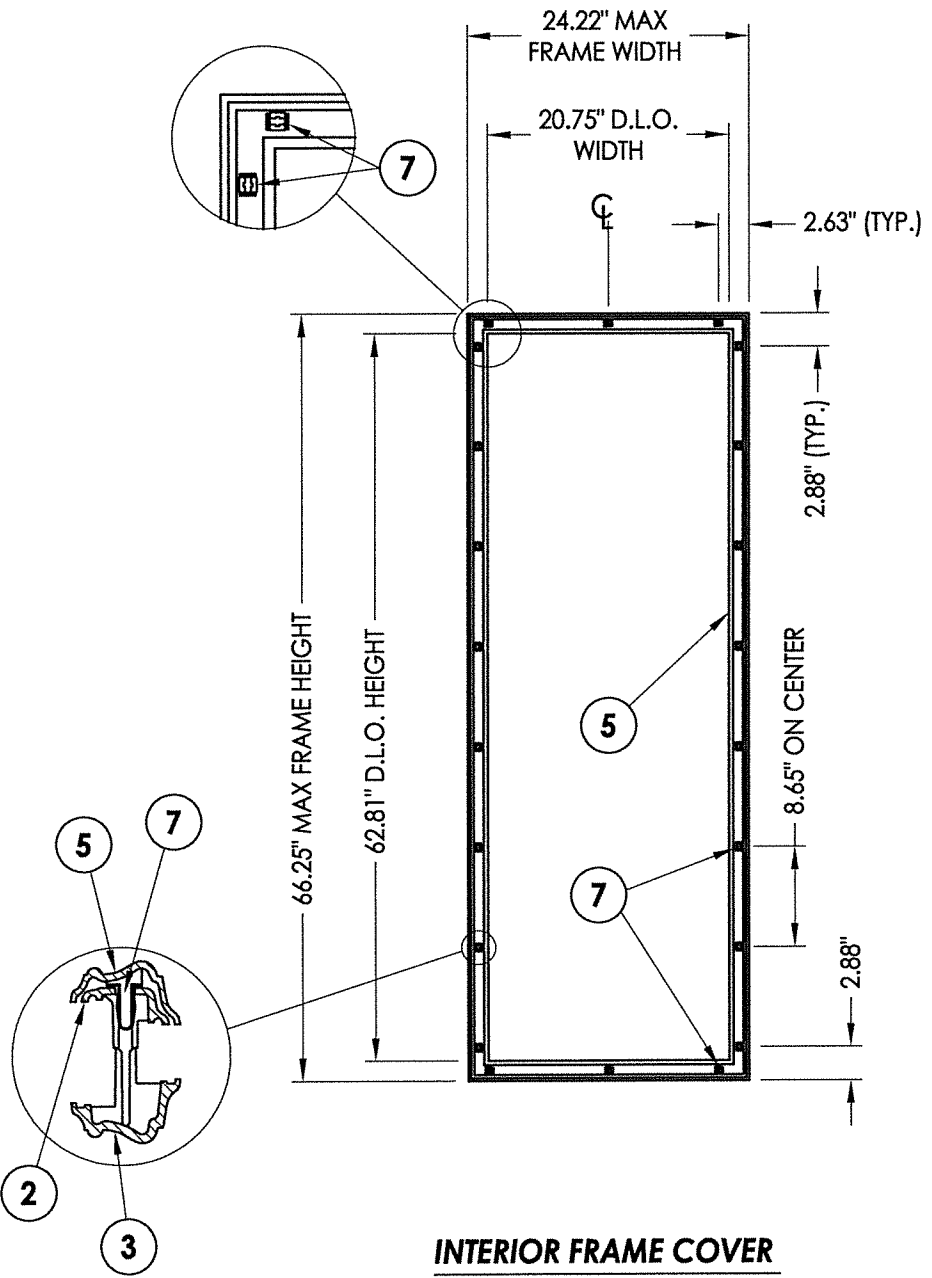
BILL OF MATERIALS		
ITEM #	DESCRIPTION	MATERIAL
1	TriSys FRAME SYSTEM	-
2	INT. FRAME (HP POLYPROPYLENE)	-
3	EXT. FRAME ("FIBERMATE" PC ABS)	-
4	#7-19 X 1-3/4" PPH SELF DRILLING SMS	STEEL
5	FRAME COVER (ABS)	-
7	FRAME CLIP	STEEL
8	FIPG (Foam-In-Place-Gasket)	POLYURETHANE



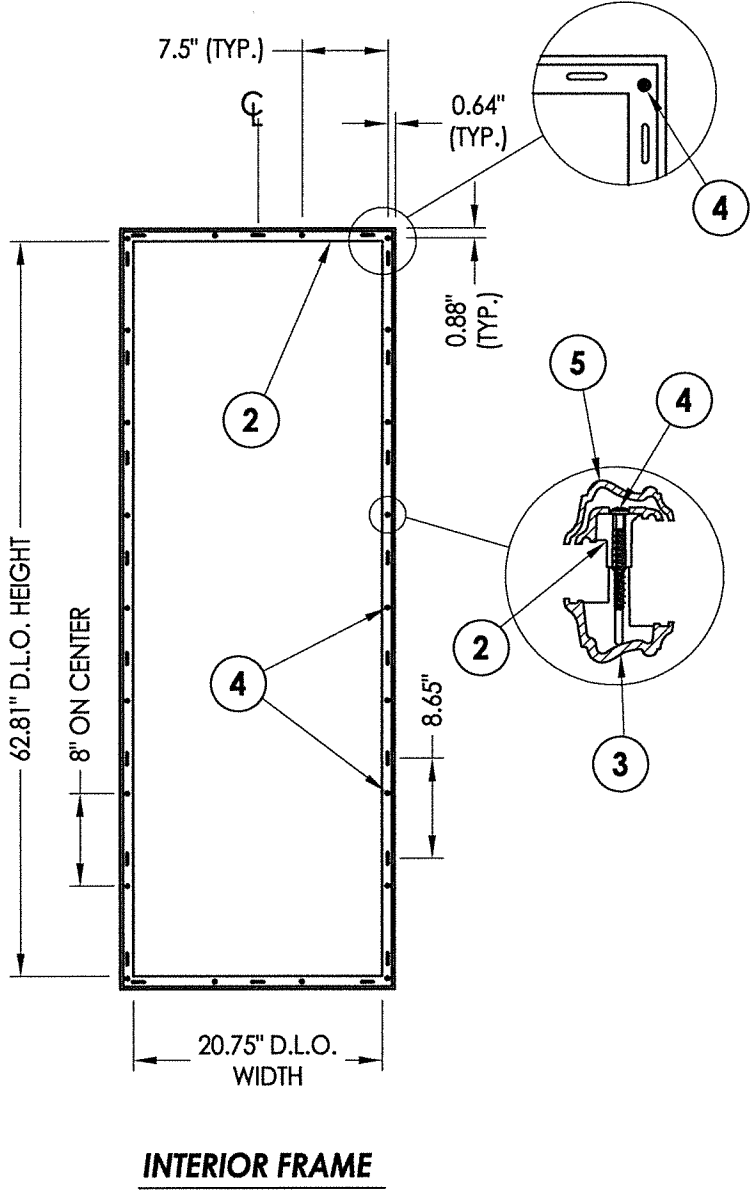
**OPTIONAL GLAZING SPACER DETAILS**



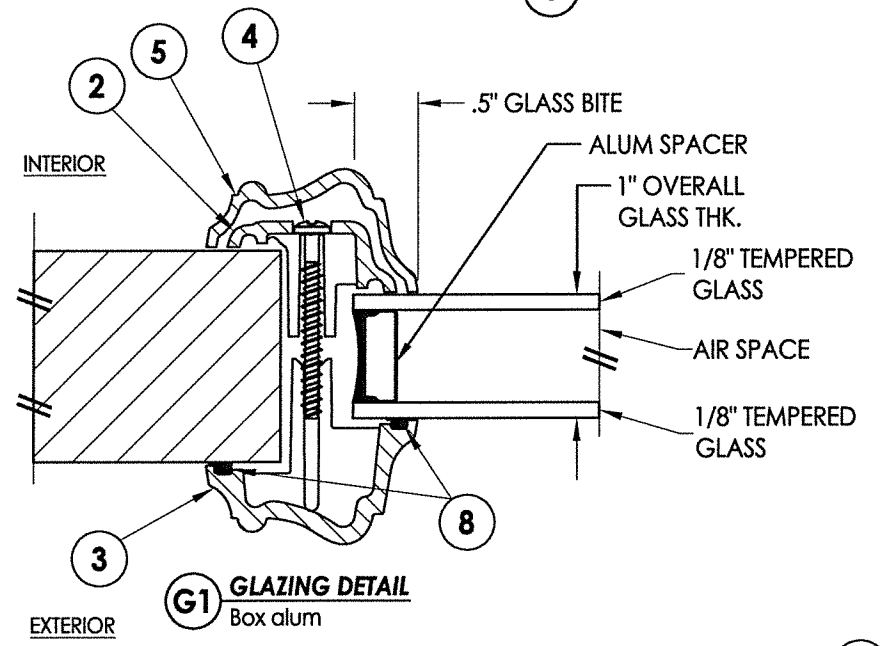
1 TriSysFRAME



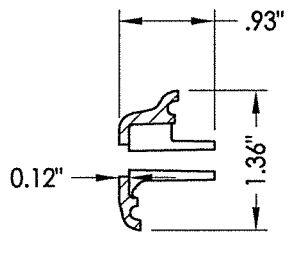
**INTERIOR FRAME COVER**



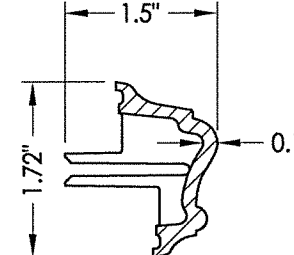
**INTERIOR FRAME**



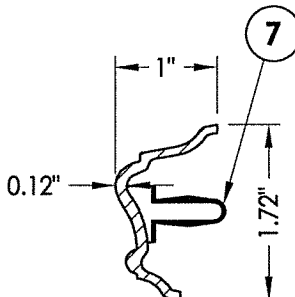
**G1 GLAZING DETAIL**  
Box alum



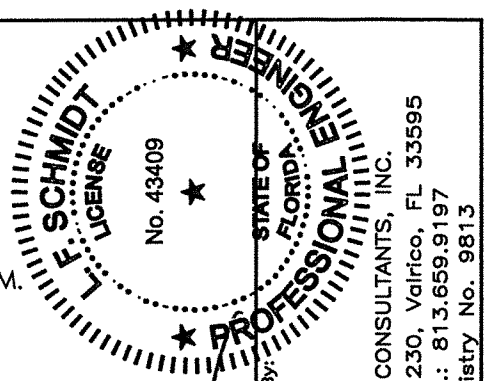
2 INT. FRAME



3 EXT. FRAME



5 INT. FRAME COVER



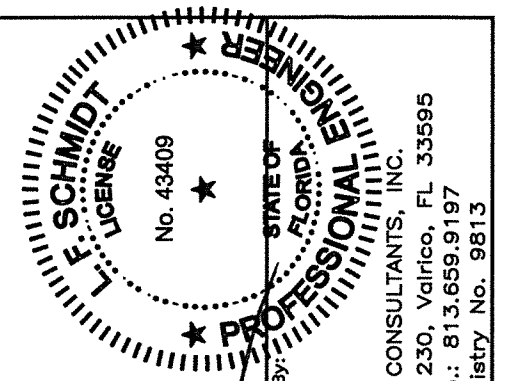
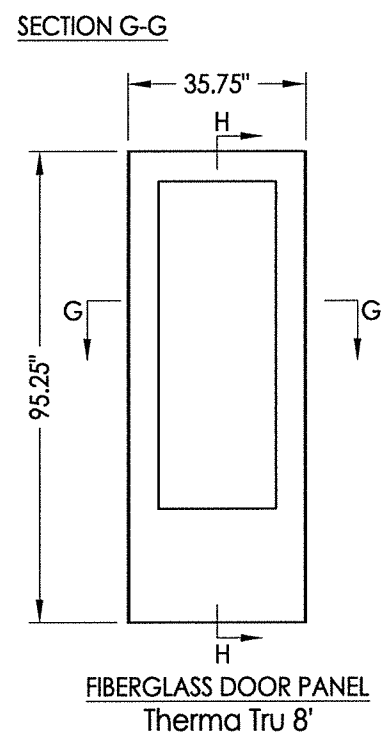
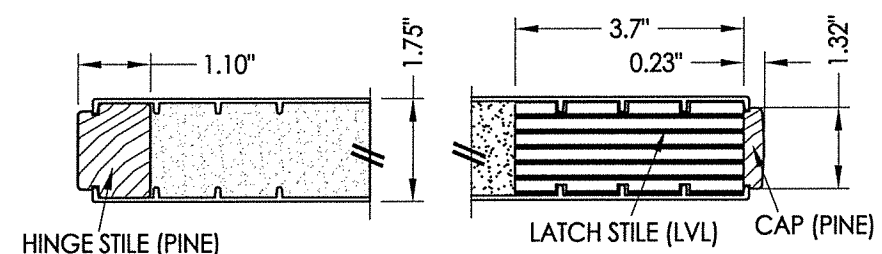
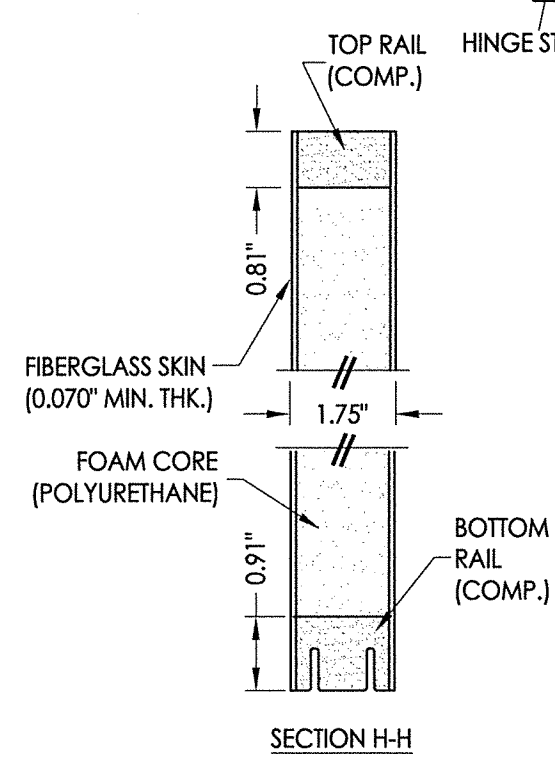
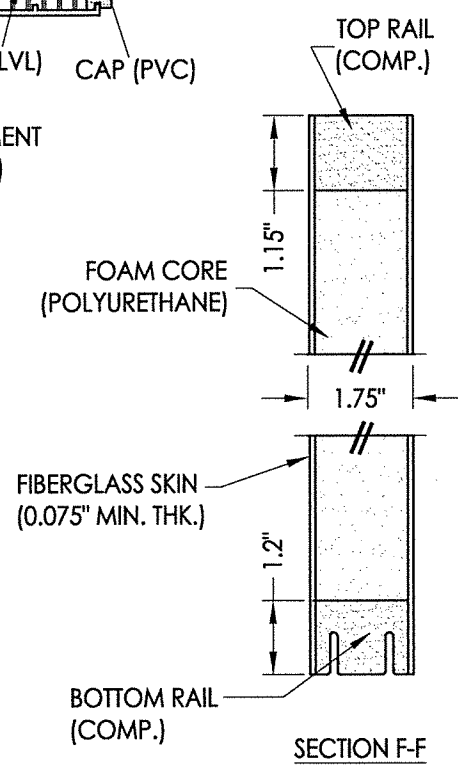
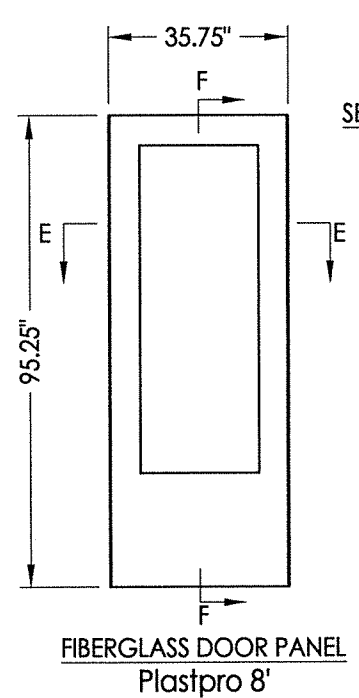
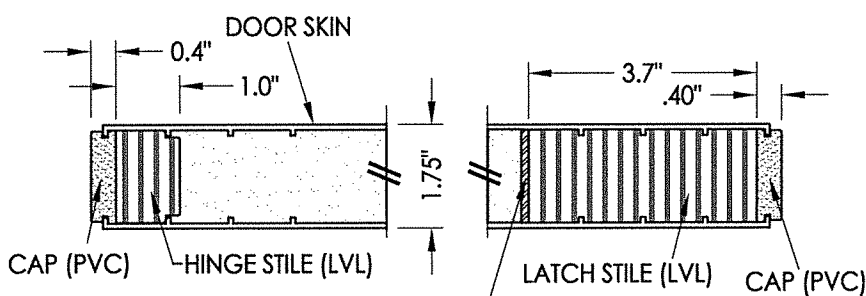
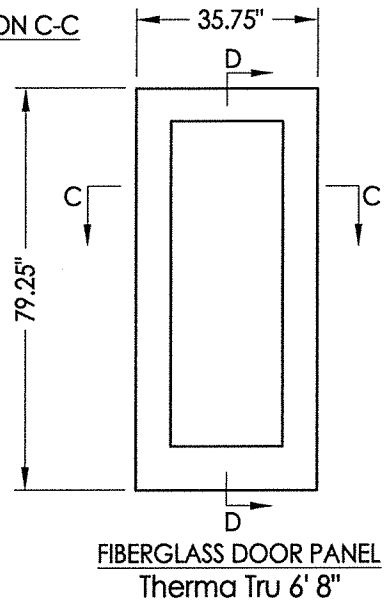
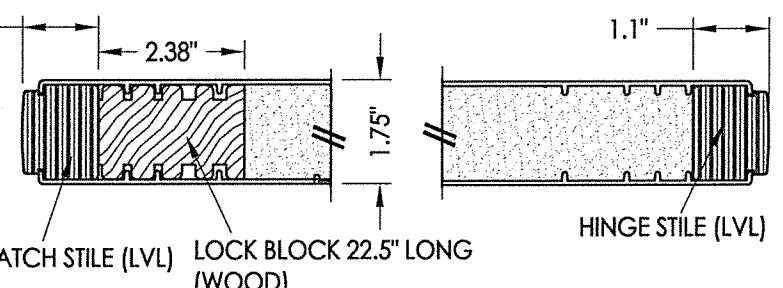
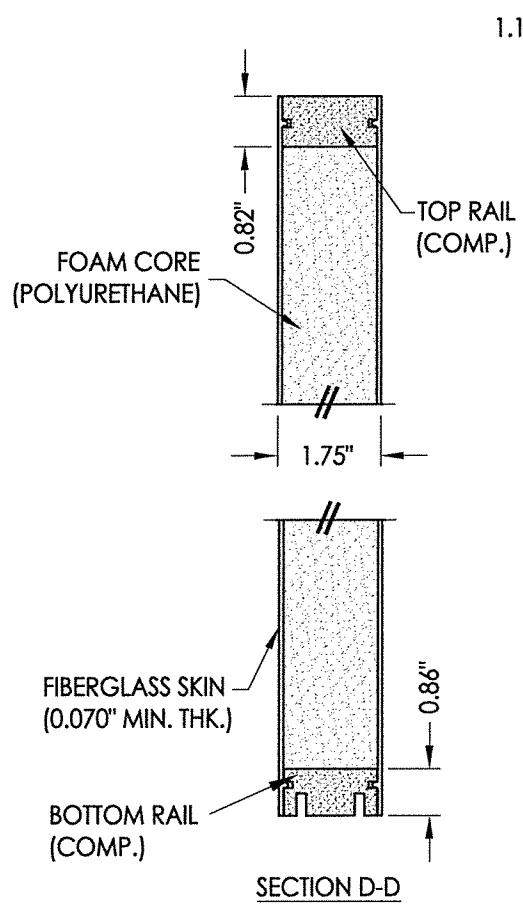
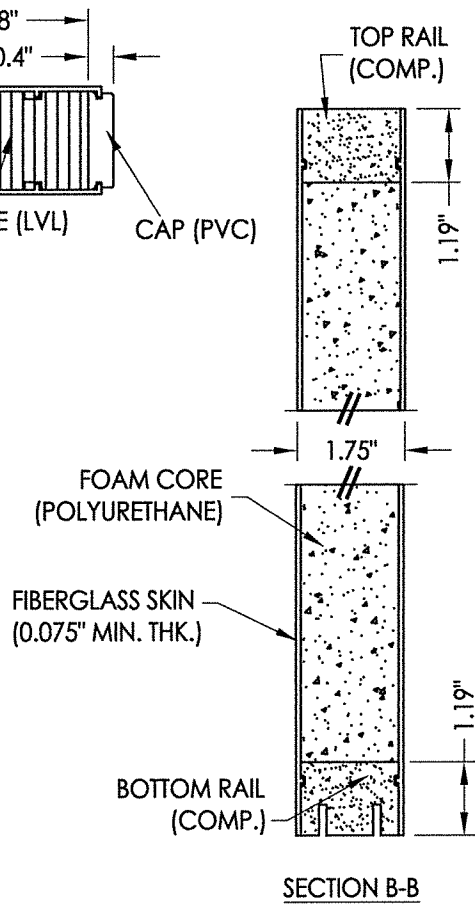
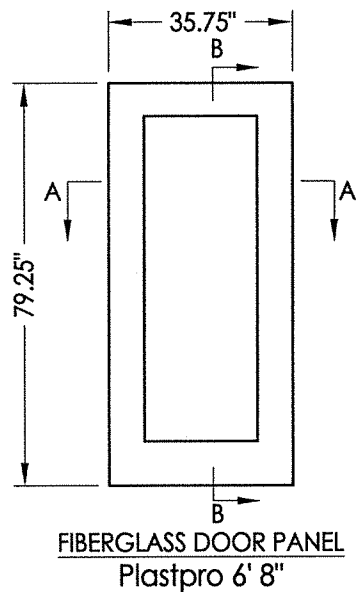
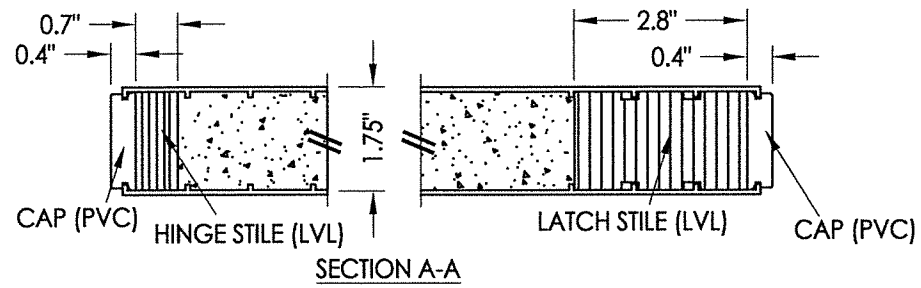
August 07, 2020

Documents Prepared By:  
Lyndon F. Schmidt  
P.E. No. 43409

**R.W.** BUILDING CONSULTANTS, INC.  
P.O. Box 230, Valrico, FL 33595  
Phone No.: 813.659.9197  
FBPE Registry No. 9813

PRODUCT:	TriSys FRAME SYSTEM
PART OR ASSEMBLY:	CROSS SECTIONS, GLAZING DETAILS & BILL OF MATERIALS
DATE:	3/31/15
SCALE:	N.T.S.
DWG. BY:	JK
CHK. BY:	LFS
DRAWING NO.:	FL-15260.13
SHEET	2 OF 4

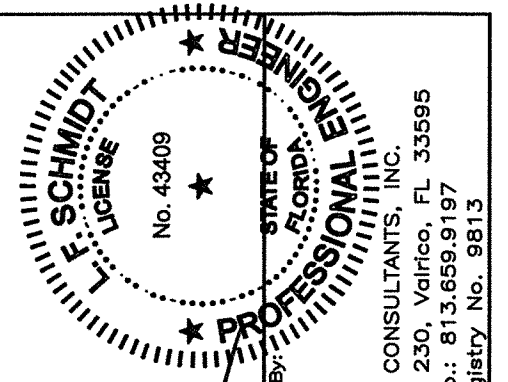
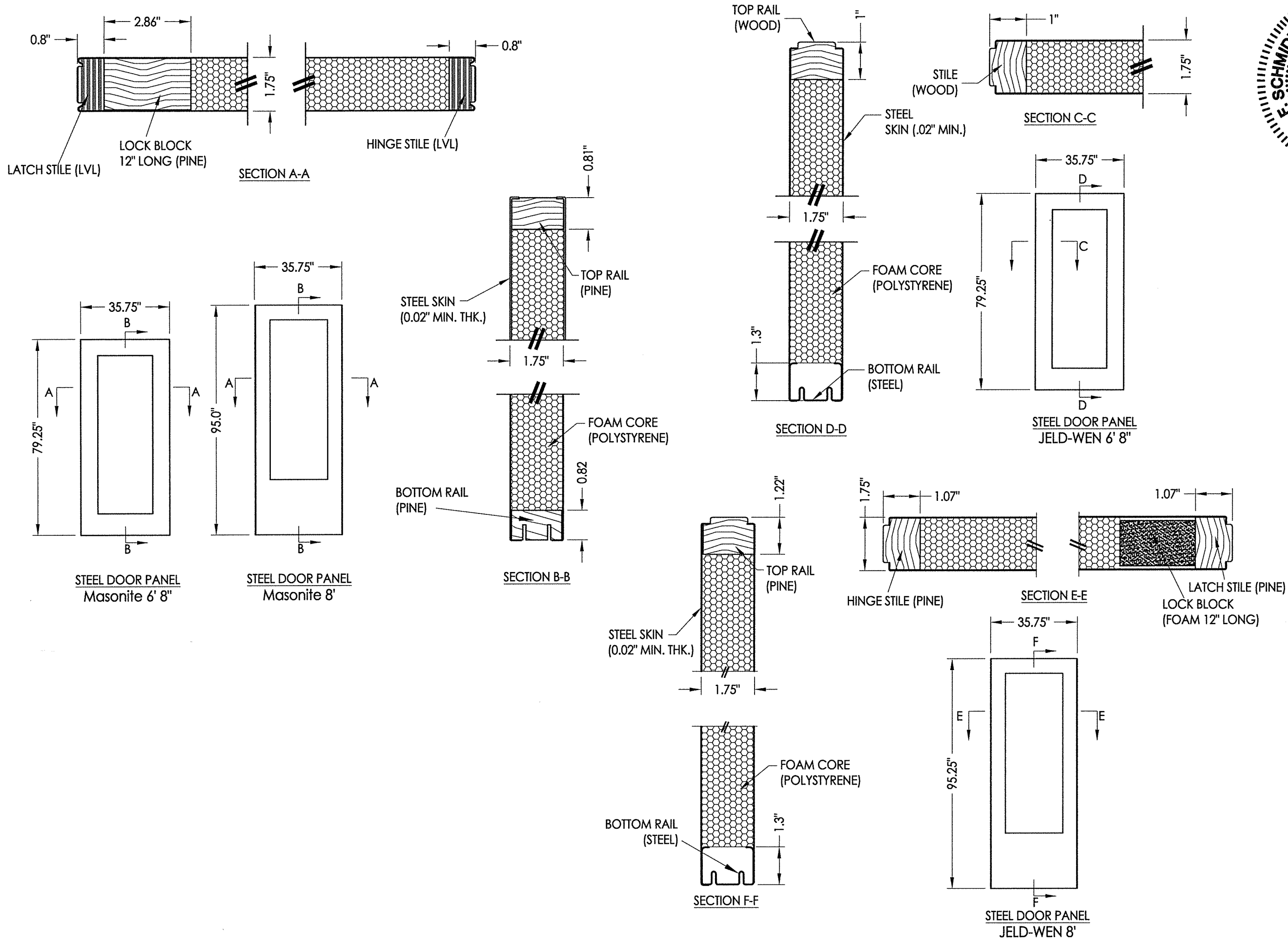
© 2015 R.W. BUILDING CONSULTANTS INC.



August 07, 2020  
 Documents Prepared By:  
 Lyndon F. Schmidt  
 P.E. No. 43409

PRODUCT:		TriSys FRAME SYSTEM	
PART OR ASSEMBLY:		FIBERGLASS DOOR PANELS	
NO.	DATE	BY	REVISIONS
2	8/05/20	DAC	UPDATE TO 7TH ED. (2020) FBC
1	9/26/17	JK	UPDATE TO 6TH ED. (2017) FBC
DATE: 3/31/15			
SCALE: N.T.S.			
DWG. BY: JK			
CHK. BY: LFS			
DRAWING NO.: FL-15260.13			
SHEET 3 OF 4			





August 07, 2020  
 Documents Prepared By:  
 Lyndon F. Schmidt  
 P.E. No. 43409

**R.W.**  
 BUILDING CONSULTANTS, INC.  
 P.O. Box 230, Valrico, FL 33595  
 Phone No.: 813.659.9197  
 FBPE Registry No. 9813

PRODUCT:		TriSys FRAME SYSTEM	
PART OR ASSEMBLY:		STEEL DOOR PANELS	
NO.	DATE	BY	REVISIONS
2	8/05/20	JBC	UPDATE TO 7TH ED. (2020)
1	9/26/17	JBC	UPDATE TO 6TH ED. (2017)

DATE: 3/31/15  
 SCALE: N.T.S.  
 DWG. BY: JK  
 CHK. BY: LFS  
 DRAWING NO.: FL-15260.13  
 SHEET 4 OF 4